

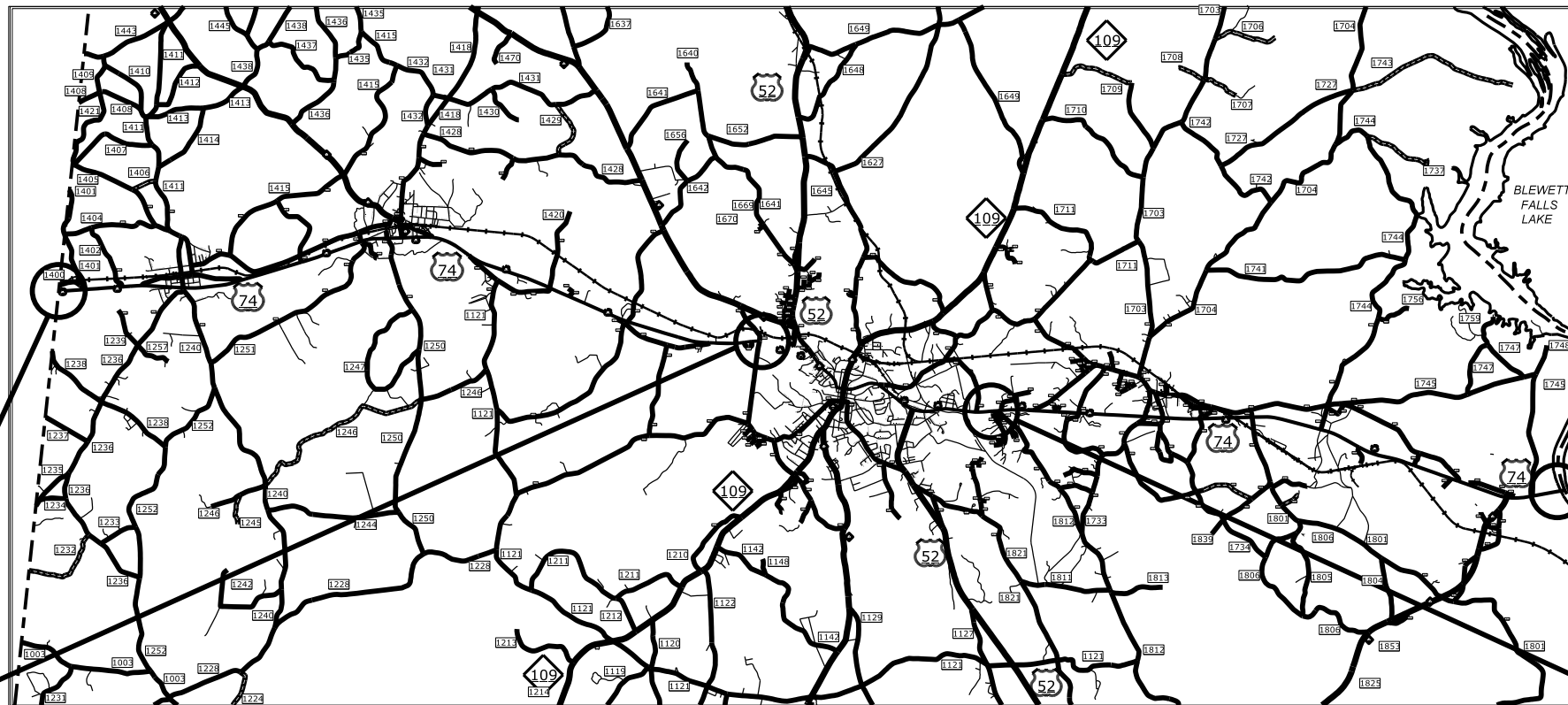
PROJECT: 44856.3.23 TIP:W-5710W

STATE OF NORTH CAROLINA
 DIVISION OF HIGHWAYS
ANSON COUNTY

LOCATION: US 74 FROM UNION COUNTY LINE TO RICHMOND COUNTY LINE

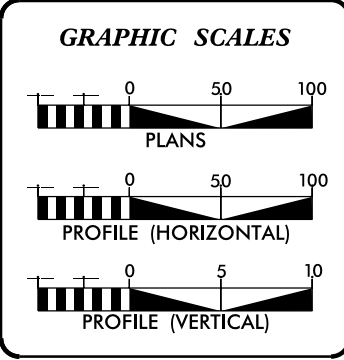
TYPE OF WORK: MILLED RUMBLE STRIPS AND THERMOPLASTIC PAVEMENT MARKINGS

STATE	STATE PROJECT REFERENCE NO.	SHEET NO.	TOTAL SHEETS
N.C.	44856.3.23	1	
STATE PROJ. NO.	F.A. PROJ. NO.	DESCRIPTION	
HSIP-0074(208)		P.E.	
HSIP-0074(208)		R/W	
HSIP-0074(208)		CONST.	



BEGIN AT UNION CO. LINE (MP#0.0)
 TO END OF DIVIDED HIGHWAY (MP#11.49)

BEGIN AT DIVIDED HIGHWAY (MP#16.39)
 END AT RICHMOND CO. LINE (MP#25.37)



DESIGN DATA

ADT	=	N/A
ADT	=	N/A
DHV	=	N/A %
D	=	N/A %
T	=	N/A %
V	=	N/A MPH

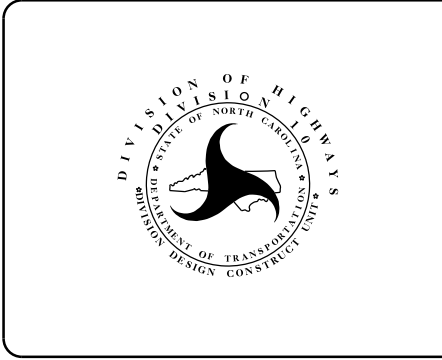
PROJECT LENGTH

LENGTH OF ROADWAY PROJECT 44856.3.23	=	20.47	MILES
TOTAL LENGTH OF STATE PROJECT 44856.3.23	=	20.47	MILES

Prepared In the Office of:
DIVISION OF HIGHWAYS
 DIVISION TEN
 DIVISION DESIGN / CONSTRUCT UNIT

2018 STANDARD SPECIFICATIONS

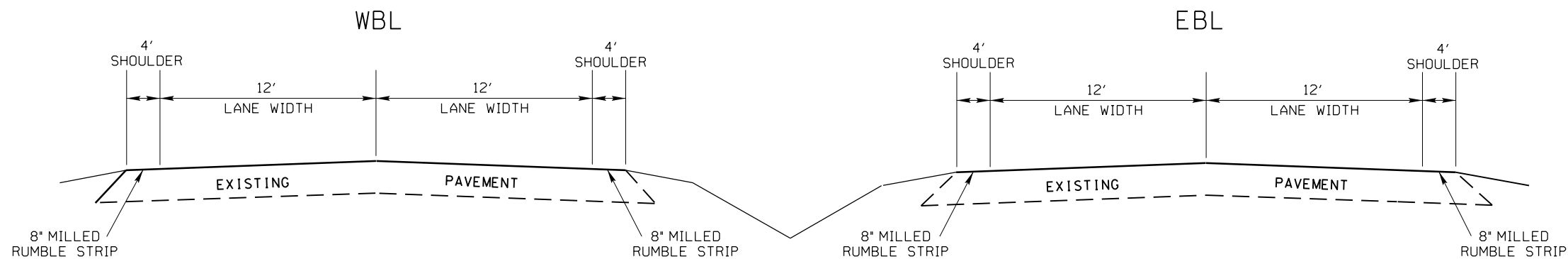
RIGHT OF WAY DATE:	TERRY BURLESON PROJECT ENGINEER
LETTING DATE: May 02, 2018	PROJECT DESIGN ENGINEER



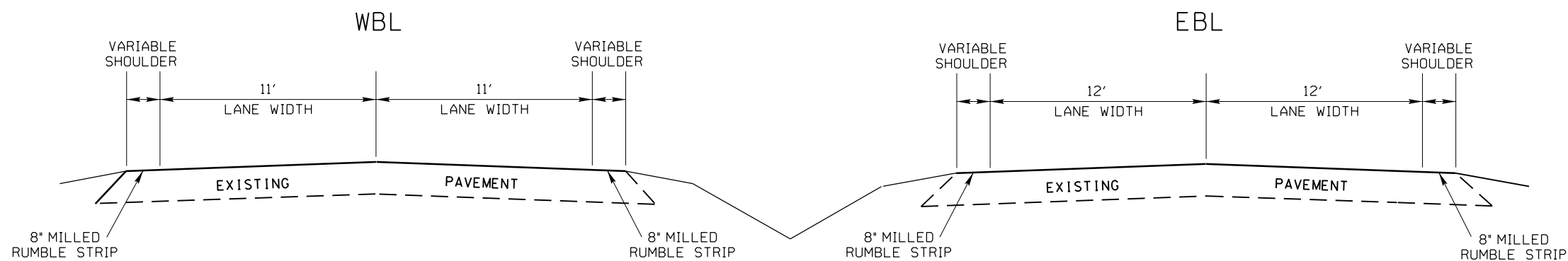
DIVISION OF HIGHWAYS
 STATE OF NORTH CAROLINA

APPROVED BY _____ DATE _____
 DDC ENGINEER

STATE	PROJECT NO.	SHEET NO.	TOTAL SHEETS
N.C.	44856.3.23	2	
F.A. PROJECT NO. HSP-0074(208)			



TYPICAL SECTION NO. 2
FROM MP#16.39 TO MP#25.37
*USE PAVED SHOULDER DETAIL B



TYPICAL SECTION NO. 1
FROM MP#0.0 TO MP#11.49
*USE PAVED SHOULDER DETAIL A

NOTES FOR WBL TYPICAL #1:

- EXISTING LANES ARE STRIPED AT 12'.
- CONTRACTOR SHALL REMOVE EXISTING MARKINGS AND RESTRIPE AS 11' LANES.
- THE PROPOSED SKIP LINE SHALL BE PLACED IN THE SAME LOCATION AS THE EXISTING SKIP LINE. ONLY THE EDGE LINES SHALL BE RELOCATED.

NOTES FOR EBL TYPICAL #1 AND TYPICAL #2:

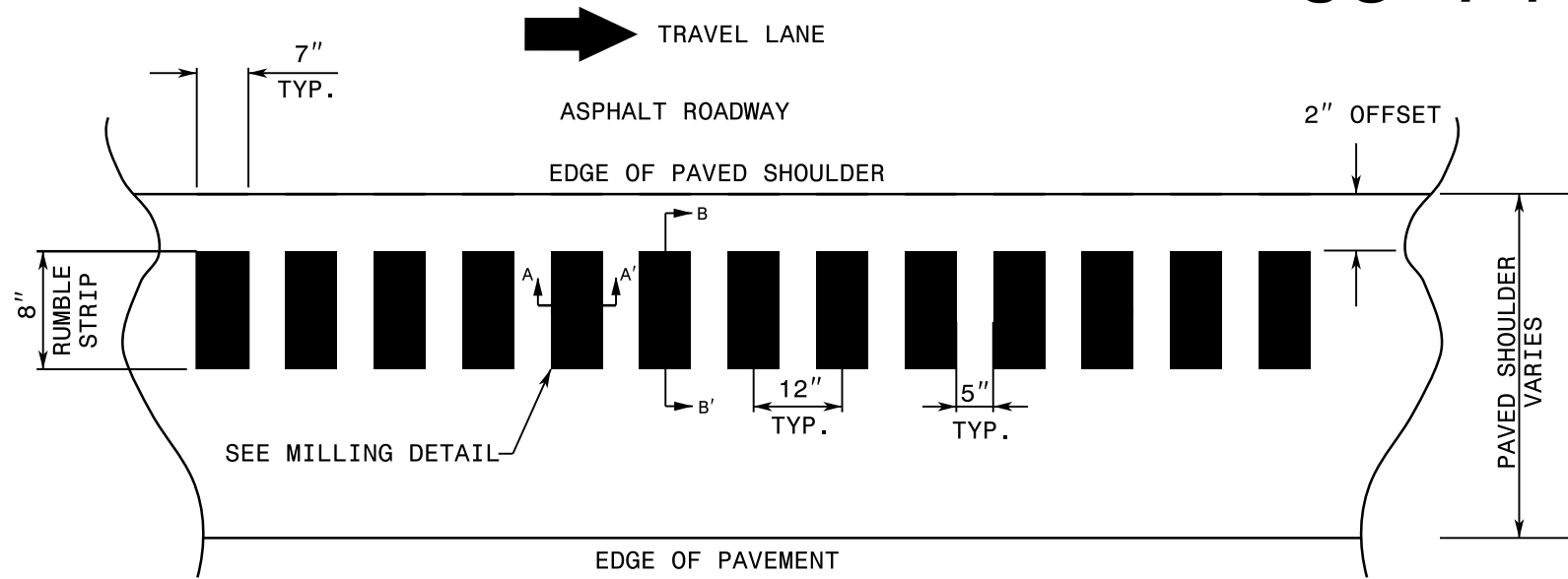
- NO ADDITIONAL STRIPING REQUIRED.

MILLED RUMBLE STRIP DETAIL

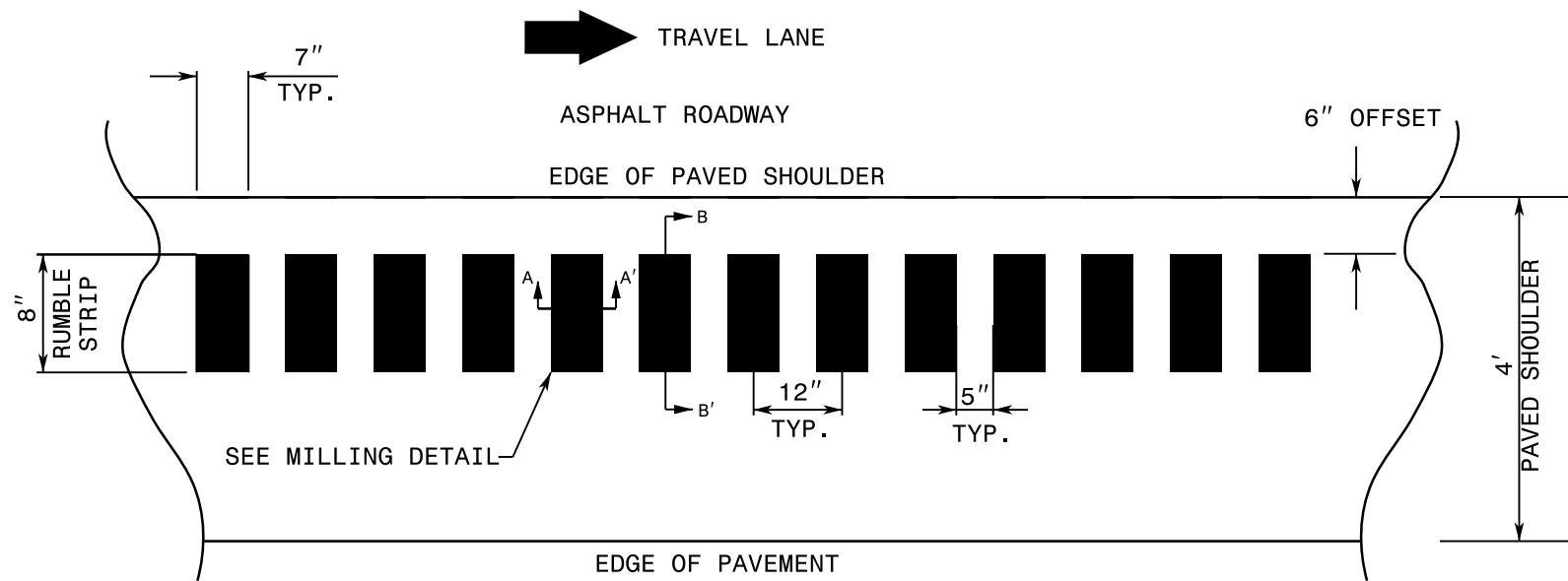
SCALE	N/A		REVISIONS
DATE	MAR 2018		
DWG. BY	TBL		
DESIGN BY	TWB		
APPROVED	TWB		

US 74

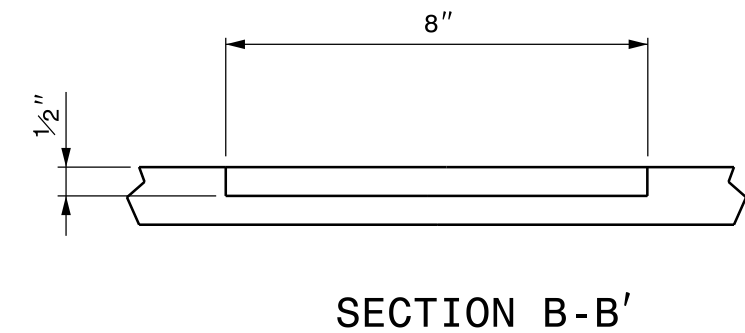
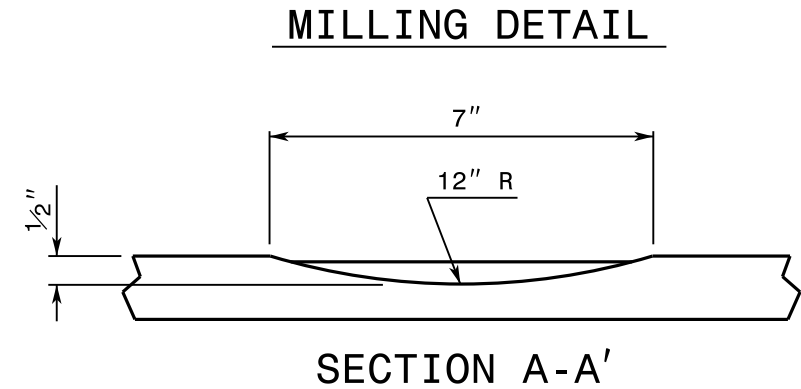
STATE	PROJECT NO.	SHEET NO.	TOTAL SHEETS
N.C.	44856.3.23	3	
F.A. PROJECT NO. HSP-0074(208)			



PAVED SHOULDERS DETAIL A



PAVED SHOULDERS DETAIL B



NOTE:

- 1) USING A VACUUM, REMOVE ALL DEBRIS FROM THE MILLINGS JUST PRIOR TO PLACING ANY PAVEMENT MARKINGS.
- 2) ENSURE GLASS BEADS ARE SPREAD UNIFORMLY OVER THE ENTIRE SURFACE OF THE PAVEMENT MARKING MATERIAL.
- 3) SEE NCDOT STD 665.01 SHEET 2 OF 2 FOR TREATMENT AT INTERSECTIONS.

MILLED RUMBLE STRIP DETAIL

SCALE	N/A
DATE	MAR 2018
DWG. BY	TBL
DESIGN BY	TWB
APPROVED	TWB



REVISIONS	